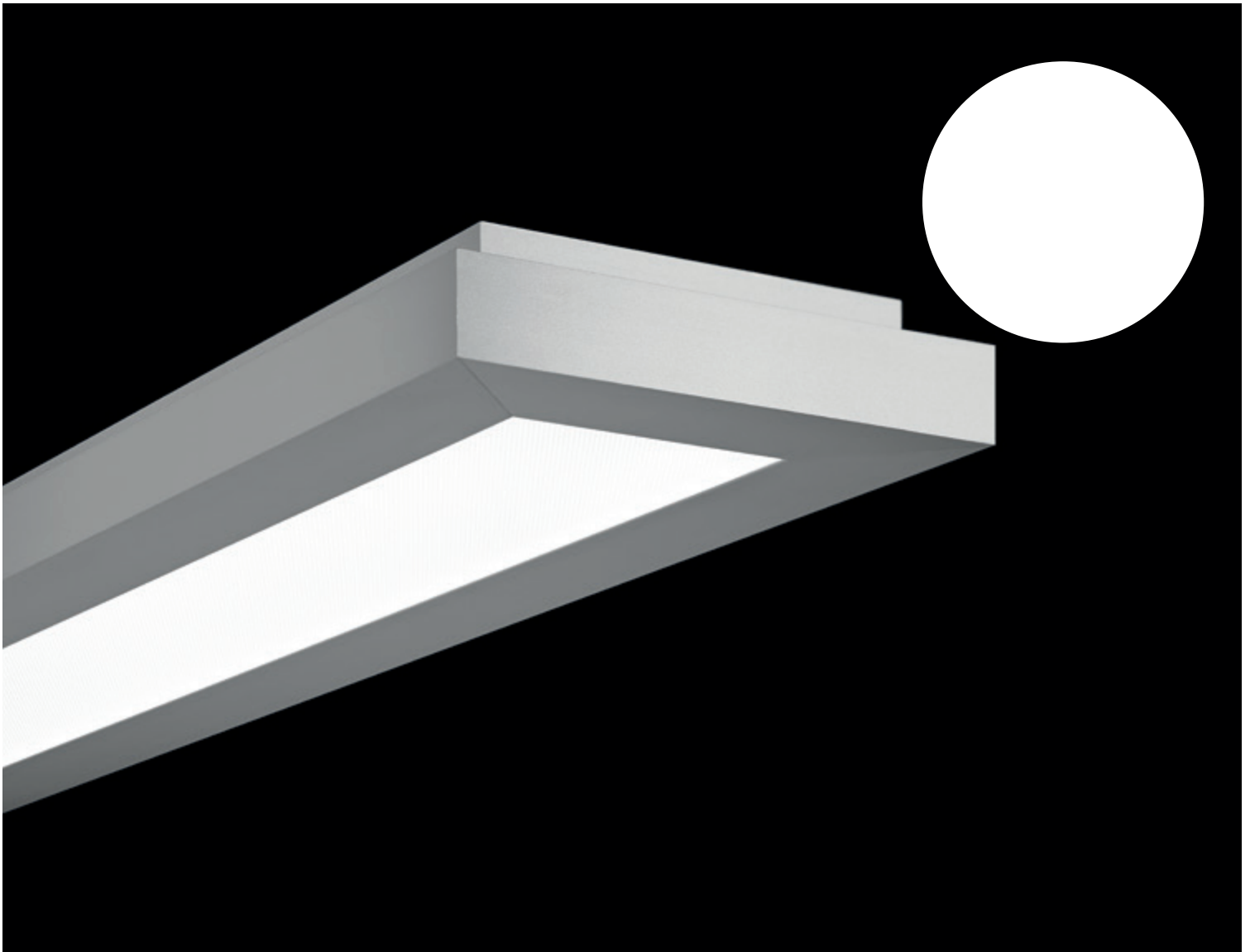


## Item C-LED.

True lighting from above.

Up to  
95 lm/W





Manner Vienna, Austria; © Bernhard Schramm

## The challenge.

First class lighting in your office.

Whether as a pendant or surface-mounted luminaire, the elegantly designed luminaires from the Item LED and T5 ranges guarantee uncompromising efficiency and outstanding lighting technology. With their clear, streamlined design, they lend themselves perfectly to the formal language of modern offices and training facilities.

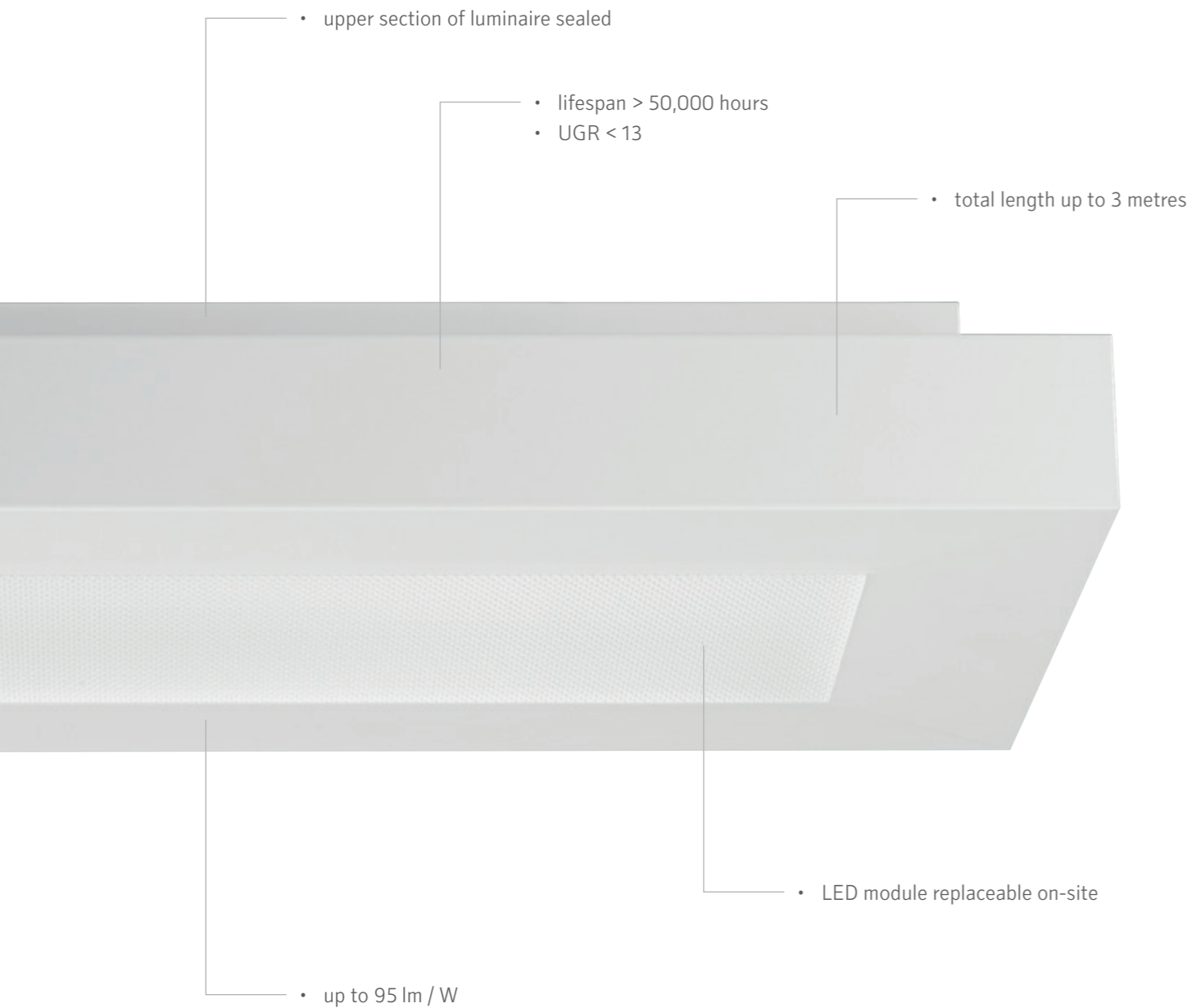


## The solution.

Clear minimalist design – Item C-LED.

Thanks to the minimum number of suspension points and lengths of up to 3 metres, Item makes for a harmonious lighting solution within the architectural space. The combination of direct and indirect light delivers a pleasant, balanced lighting atmosphere. The upper section of the LED versions is sealed, thus reducing maintenance costs to a minimum.

- LED pendant luminaire delivers up to 95 lm/W
- elegant minimalist design, lengths of up to 3 metres in one piece
- C-LED optics guarantee optimum ergonomics pursuant to EN 12464-1
- minimal maintenance and operating costs given that the LED luminaire is sealed
- LED can be replaced on-site



	Anodized aluminium	White powder-coated aluminium	
Pendant luminaire	C-LED	C-LED	
B x L [mm]			
182 x 1260	●	●	UGR < 13
182 x 1560	●	●	UGR < 13
182 x 2240	●	●	UGR < 13
182 x 3040	●	●	UGR < 13
Surface-mounted luminaire			
B x L [mm]			
182 x 1260	●	●	UGR < 19
182 x 1260	●	●	UGR < 22
182 x 1560	●	●	UGR < 19
182 x 1560	●	●	UGR < 22

Item C-LED product range overview.

## Item C-LED. Everything at a glance.

Ceiling or pendant-mounted luminaire with LED and passive cooling, up to 95 lm/W, colour temperature 4000K or 3000K, colour rendering index CRI > 80, lifespan L70 > 50,000 h, the pendant luminaire is available in single and double lengths, anodized or white powder-coated aluminium frame, one-piece frame and diffuser, without mechanical or lighting interruption for the entire length, without visible screws, with a direct/indirect pendant luminaire, direct ceiling-mounted luminaire, multi-directional C-LED optics with a direct lighting component of 23% in the pendant version, surface-mounted luminaire for direct lighting, can be used in office lighting applications thanks to a UGR of < 13 for the pendant luminaire and UGR < 19 for the surface-mounted luminaire, maximum luminance beyond an angle of 65° < 3,000 cd/m², luminaire supplied ready for installation, 2 rectangular canopies in white with single point mounting, suspension points can be positioned anywhere along the entire length of the luminaire as required, maintenance-friendly given that the LED luminaire is sealed, LED module can be replaced on site, internal wiring halogen-free, electronic ballast, on/off, or DALI lighting control system. Luminaire width 182mm with a visible height of 35mm.

**WEBCODE: 015396**  
For further technical data please go to [regent.ch](http://regent.ch) and enter the web code

## The features.

Up to three metres of efficient uninterrupted lighting.



Manner Vienna, Austria; © Bernhard Schramm

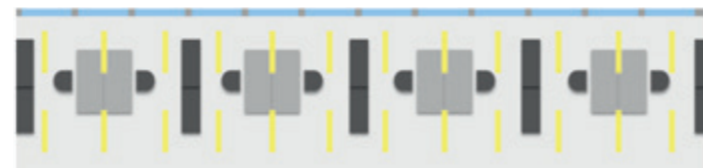
### Focal glow revisited.

Whether meeting room or office space – the elegantly designed luminaires from the Item LED range are suitable for application in any environment and enhance the overall impression of the space. The photometric values of this luminaire are both convincing and surprising. Thanks to the uniformly illuminated diffuser the viewer perceives uninterrupted visible light over the total length of 3 metres. Item LED comprises innovative LED technology for greater comfort: UGR < 13, a high light output of up to 95 lm / W and a lifespan of 50.000 hours.

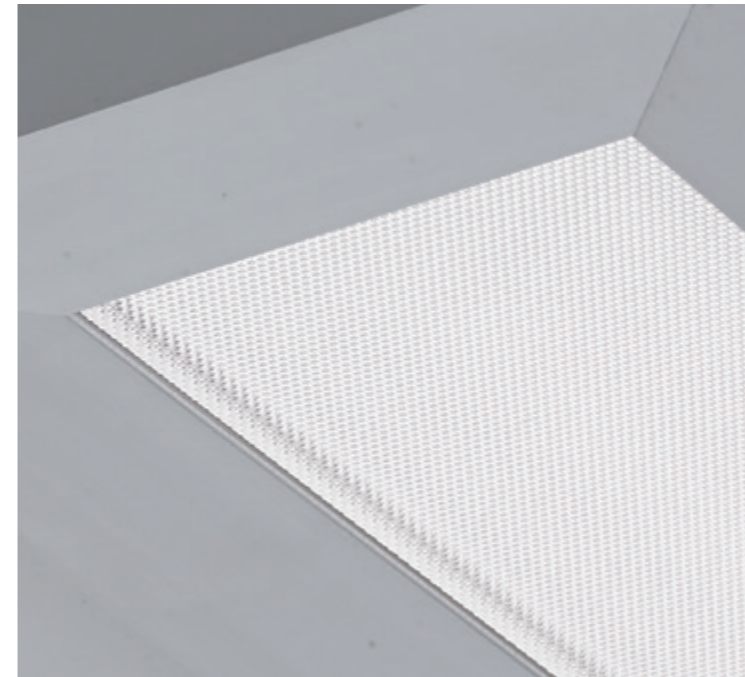
High flexibility guaranteed – multi-directional C-LED optics



Parallel to the window / at right angles to the room axis



At right angles to the window / parallel to the room axis



### No compromises on efficiency.

Their minimalist design is an indication of how energy-saving the Item LED is. With 95 lm/W, it is amongst the most efficient luminaires in its class. But its energy-saving capability is not the only attractive aspect. The Item LED is easy to clean, thanks to the fact that the housing is sealed, and the LED module can be replaced on site, if required. The long lifespan of the LED guarantees lower maintenance costs.

### First class lighting for first class architecture.

Clear-cut, minimalist design is what Item LED is all about, whether the ceiling-mounted or the pendant version of the luminaire. It facilitates easy planning, even for the most complex of projects. The uniform spread of light across the diffuser over the entire length of 3 metres makes for a clean, seamless line of light even in daylight, which fits perfectly into any architectural concept.

# Contact

**Hauptsitz Schweiz** Regent Beleuchtungskörper AG, Dornacherstrasse 390, Postfach 139, CH-4018 Basel, Tel. +41 61 335 51 11, Fax +41 61 335 52 01, info.bs@regent.ch **Bern** Regent Beleuchtungskörper AG, Jupiterstrasse 15, Postfach 170, CH-3000 Bern 15, Tel. +41 31 940 10 10, Fax +41 31 940 10 11, info.be@regent.ch **Genève** Régent Appareils d'éclairage SA, Rue de Saint-Jean 30, CH-1203 Genève, Tél. +41 22 340 34 00, Fax +41 22 340 38 82, info.ge@regent.ch **Lausanne** Régent Appareils d'éclairage SA, Chemin du Rionzi 60, Case postale 432, CH-1052 Le Mont-sur-Lausanne, Tél. +41 21 642 02 02, Fax +41 21 648 21 19, info.ls@regent.ch **Lugano** Regent Illuminazione SA, Via al Mulino 22, CH-6814 Cadempino, Tel. +41 91 966 77 33, Fax +41 91 967 11 01, info.ti@regent.ch **Zürich** Regent Beleuchtungskörper AG, Luggwegstrasse 9, CH-8048 Zürich, Tel. +41 44 497 31 11, Fax +41 44 497 31 61, info.zh@regent.ch **Head Office International** Regent Beleuchtungskörper AG, Dornacherstrasse 390, P.O. Box 139, CH-4018 Basel Switzerland, Tel. +41 61 335 54 82, Fax +41 61 335 55 96, export.bs@regent.ch **Deutschland** Regent Licht GmbH, Plange Mühle 1, D-40221 Düsseldorf, Tel. +49 211 598 972 10, Fax +49 211 598 972 59, info@regent-licht.de **France** Régent Appareils d'éclairage Sàrl, Siège social 10, place Charles Béraudier, Immeuble l'Orient, F-69428 Lyon Cedex 03, Régent Appareils d'éclairage SA, Siège commercial, Dornacherstrasse 390, Case postale 139, CH-4018 Bâle Suisse, Tél. +41 61 335 54 83, Fax +41 61 335 55 96, info.fr@regent.ch **Israel** Regent Lighting Marketing Ltd., 4, Moshe Sharet St., IL-75704 Rishon Letzion, Phone +972 3 962 29 70, Fax +972 3 962 29 98, service@regentlighting.co.il **Italia** Regent Illuminazione s.r.l., Sede legale, Via Vittor Pisani 16, I-20124 Milano, Tel. +39 02 667 183 78, Fax +39 02 673 861 09, info.it@regent.ch **Österreich** Regent Licht GmbH, Karl-Farkas-Gasse 22, A-1030 Wien, Tel. +43 1 879 12 10, Fax +43 1 879 12 09, info@regent-licht.at **India** Regent Lighting Asia Private Limited, A-40, Ground Floor, Sector-80, Phase-II, Noida-201 305, Uttar Pradesh, India, Phone +91 120 473 3028 (North India) Phone +91 120 473 3031 (South & West India) info@regent-lighting.in

[www.regent.ch](http://www.regent.ch)



80.078.EN